

# FireBird®



## The well-proven blind rivet nut setting tool, now with new Li-Ion Energy

### FireBird® – High performance

14,4 Volt battery energy for versatile, cablefree operation on building sites or in industry production

### FireBird® – Safety first

- Drill-on of the blind rivet nut with reduced torque and automatic switch-off
- Triggering the setting process clearly separated from the drill-on action
- Electronic control of the adjusted setting stroke
- Drill-off with high torque
- Sturdy, compact and shockproof tool housing

### FireBird® – The ergonomy

- Fatiguefree working through well balanced weight repartition and ergonomic grip
- Easy stroke adjustment

**CE-Conformity:**  
Machine safety acc.  
EU-Directive N° 2006/42/ EG



FireBird® with 14,4 Volt /1,3 Ah battery and charger, in metal carrying case **P/N 726 0032**

### FireBird® – With new Li-Ion energy

- Choice of 1,3 Ah and 2,6 Ah battery
- No Memory-effect
- High Energy yield through high voltage and low weight allow very easy and fast operation
- Extremely low self discharge
- New battery shape allows the tool to be stored standing on its battery

### FireBird® – High speed

- Easy and safe drill-on of the blind rivet nut
- Constant setting speed
- Automatic switching from setting to drill-off
- Fast and simple exchange of threaded mandrel

### FireBird® – Versatility

Blind rivet nuts up to M10 Alu, M8 Steel and M6 Stainless Steel

GESIPA Blind Riveting Systems Ltd  
Dalton Lane, Keighley  
West Yorkshire BD21 4JU  
United Kingdom

Phone + 44 (0)1535 212200  
Fax + 44 (0)1535 212232  
Internet <http://www.gesipa.co.uk>  
E-Mail [info@gesipa.co.uk](mailto:info@gesipa.co.uk)

**GESIPA®**

## The well-proven blind rivet nut setting tool, now with new Li-Ion Energy

### FireBird® – Technical characteristics

Drive: DC-motor  
 Setting force: 13.000 N  
 Max. stroke: 5,5 mm  
 Weight (incl. 1,3 Ah battery): 2,1 kg (4,63 lbs)

### Batteries

Nominal voltage: 14,4 V  
 Capacity: 1,3 Ah / 2,6 Ah  
 Number of cells: 4 / 8  
 Cell type: Li-Ion  
 Weight: 0,35/0,5 kg (0,77/1,1 lbs)

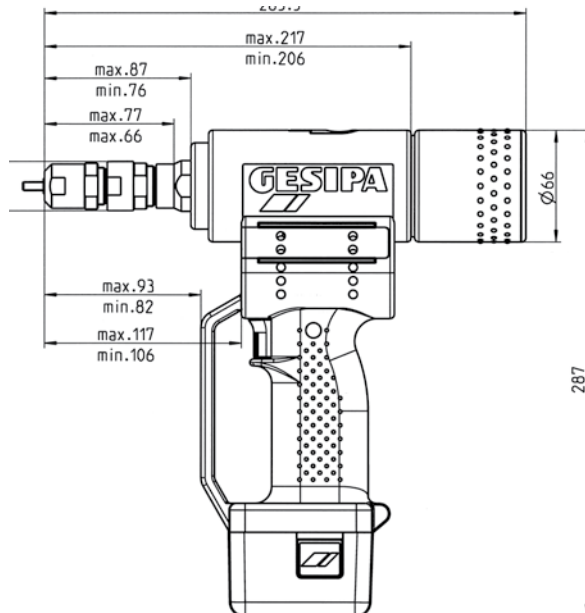
**P/N 1,3 Ah battery: 725 1045**  
**P/N 2,6 Ah battery: 725 1049**

### Charger

Primary voltage: 230V/50Hz  
 Charging time: 50 to 100 minutes  
 (acc. to battery type)  
 Weight: 0,6 kg (1,32 lbs)

**P/N 725 1134**

### FireBird® – Dimensions



### Typical performance per charge / Treaded mandrels and nosepieces

Blind rivet nut inner thread	Material	approx. pcs/charge (1,3 Ah)	Part Number	
			Mandrel	Nosepiece
M3	Alu	480	726 2019*	726 2086*
M3	Steel/Stainl. Steel	440		
M4	Alu	420	726 2027	726 2094
M4	Steel/Stainl. Steel	380		
M5	Alu	380	726 2035	726 2108
M5	Steel/Stainl. Steel	320		
M6	Alu	320	726 2043	726 2116
M6	Steel/Stainl. Steel	240		
M8	Alu	270	726 2051*	726 2124*
M8	Steel	140		
M10	Alu	240	726 2078*	726 2132*

\* Available as special accessory



Your partner: